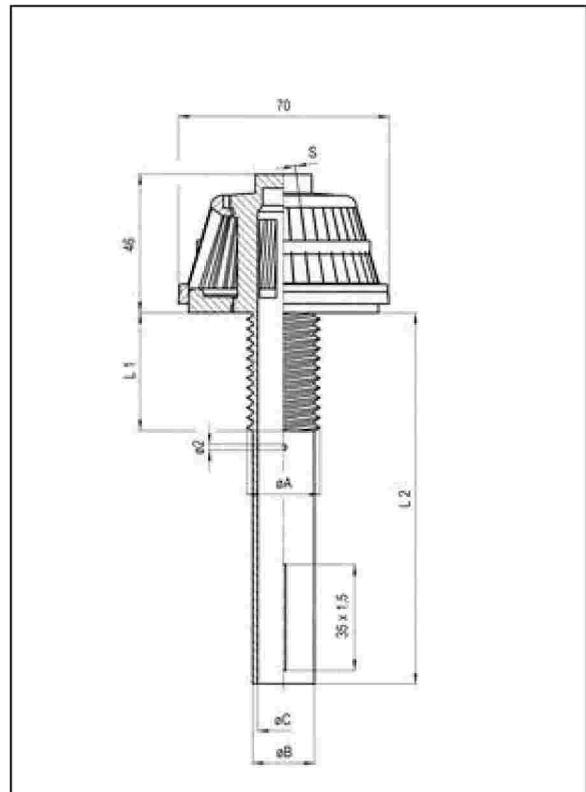
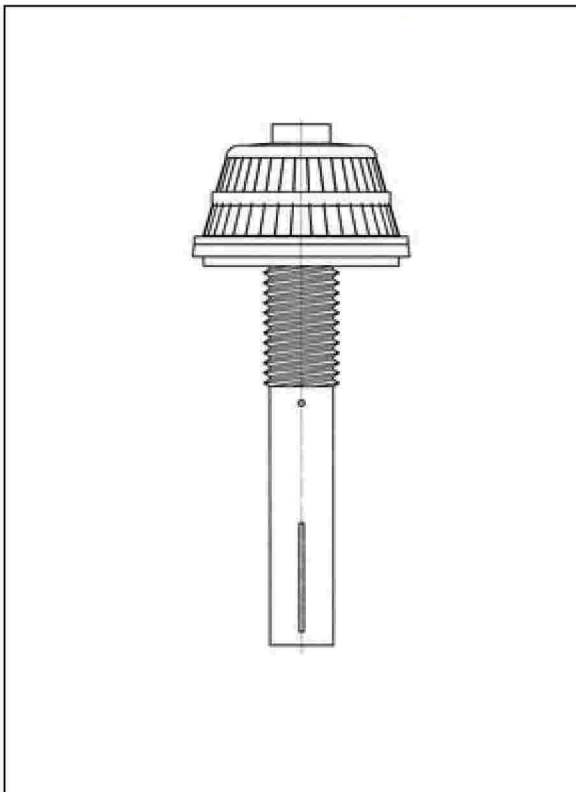


# Typ A

## Basket filter nozzles Type A



L2 = Standard 120 mm inkl. Gewinde  
= Standard 120 mm incl. thread  
= Standard 120 mm incl. filetage  
= Standard 120 mm incl. rosca

B = 21 mm / 20 mm / 17 mm  
C = 18 mm / 16 mm / 14 mm

# Typ A

**Schlitz      Slots      Fentes      Ranuras      Aberturas**

Anzahl	Breite	Länge	
40	0,2	24	= 1,92 cm <sup>2</sup>
40	0,3	24	= 2,88 cm <sup>2</sup>
36	0,5	24	= 4,32 cm <sup>2</sup>
22	0,8	24	= 4,22 cm <sup>2</sup>
36	1,0	24	= 8,64 cm <sup>2</sup>
36	1,2	24	= 10,37 cm <sup>2</sup>
30	2,0	24	= 14,40 cm <sup>2</sup>

**Gewinde      Thread      Filetage      Rosca**

TYP		A (mm)	L1 (mm)											
			METRIC	14	15	18	20	25	30	40	50	60	65	70
A 11 f	M 20 x 1,5	20				✓	✓	✓	✓	✓	✓			
A 11 g	M 20 x 2,5	20				✓		✓	✓	✓	✓	✓		
A 22 f	M 22 x 1,5	22								✓				
A 22 g	M 22 x 2,0	22						✓	✓					
A 1	M 24	24		✓		✓		✓	✓	✓	✓			
A 2 f	M 27 x 2,0	27									✓			
A 2 g	M 27 x 2,5	27						✓	✓	✓	✓			
A 3	M 30	30						✓			✓			
WITHWORTH														
A 15	¾"	19,1						✓						
A 7	⅞"	22,2				✓		✓	✓					
A 10	1"	25,4				✓	✓	✓	✓	✓	✓			
A 19	1 ⅛"	28,6		✓										
A 4	1 ¼"	31,8				✓	✓	✓	✓	✓	✓			✓
A 9	1 ⅜"	34,9		✓				✓						
BSP GAZ														
A 12	R ½"	21,0				✓		✓	✓	✓				
A 5	R ¾"	26,4				✓		✓	✓	✓	✓			
A 17	R ⅞"	30,2							✓					
A 8	R 1"	33,2	✓		✓	✓	✓	✓	✓	✓	✓		✓	✓

**Polsterrohr      Tube      Tuyau      Tubo**

L2	nach Wunsch
----	-------------

Material / material / matériau / materiale / material:

<b>PPN</b>	<b>PPH</b>	<b>PVDF</b>
------------	------------	-------------