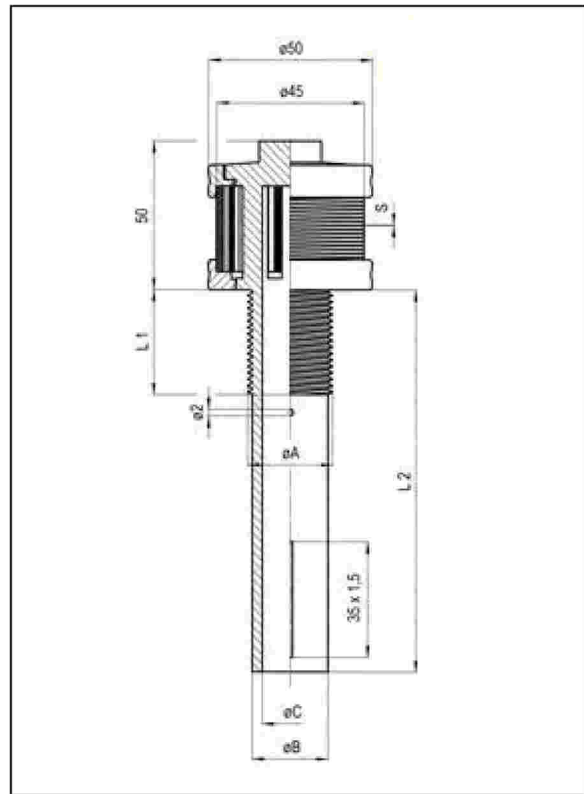
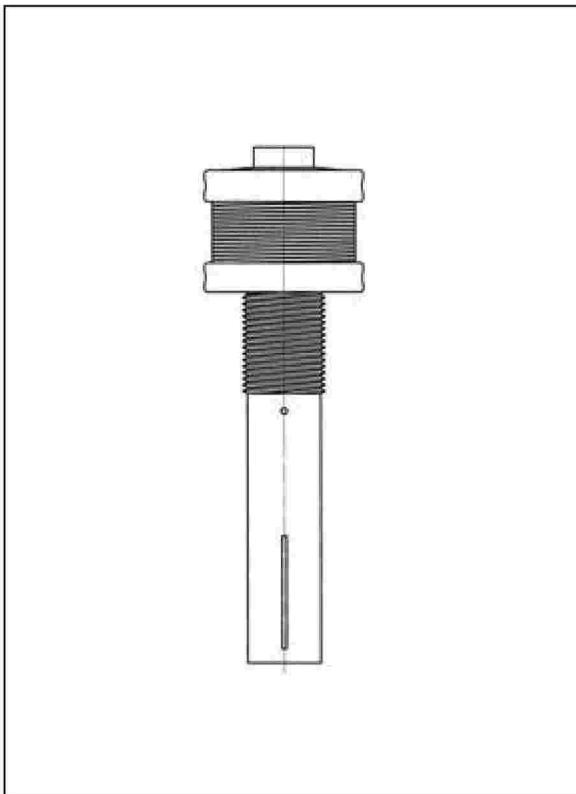


Typ MP

Metal-Plastic-Nozzle Type MP



L2 = Standard 120 mm inkl. Gewinde
= Standard 120 mm incl. thread
= Standard 120 mm incl. filetage
= Standard 120 mm incl. rosca

B = 21 mm / 20 mm / 17 mm
C = 18 mm / 16 mm / 14 mm

Typ MP

Schlitz **Slots** **Fentes** **Ranuras** **Aberturas**

Anzahl	Breite	
17	0,1	= 2,46 cm ²
16	0,2	= 4,62 cm ²
15	0,3	= 6,50 cm ²
14	0,4	= 8,09 cm ²
13	0,5	= 9,39 cm ²
11	0,75	= 11,92 cm ²
10	1,0	= 14,45 cm ²

Gewinde **Thread** **Filetage** **Rosca**

TYP		A (mm)	L1 (mm)											
			14	15	18	20	25	30	40	50	60	65	70	80
	METRIC													
S 11 f	M 20 x 1,5	20				✓	✓	✓	✓	✓	✓			
S 11 g	M 20 x 2,5	20				✓		✓	✓	✓	✓	✓		
S 22 f	M 22 x 1,5	22								✓				
S 22 g	M 22 x 2,0	22						✓	✓					
S 1	M 24	24		✓		✓		✓	✓	✓	✓			
S 2 f	M 27 x 2,0	27										✓		
S 2 g	M 27 x 2,5	27						✓	✓	✓	✓			
S 3	M 30	30						✓				✓		
	WITHWORTH													
S 15	¾"	19,1						✓						
S 7	⅞"	22,2				✓		✓	✓					
S 10	1"	25,4				✓	✓	✓	✓	✓	✓			
S 19	1 ⅛"	28,6		✓										
S 4	1 ¼"	31,8				✓	✓	✓	✓	✓	✓			✓
S 9	1 ⅜"	34,9		✓				✓						
	BSP GAZ													
S 12	R ½"	21,0				✓		✓	✓	✓				
S 5	R ¾"	26,4				✓		✓	✓	✓	✓			
S 17	R ⅞"	30,2							✓					
S 8	R 1"	33,2	✓		✓	✓	✓	✓	✓	✓	✓		✓	✓

Polsterrohr **Tube** **Tuyau** **Tube**

L2	nach Wunsch
----	-------------

Material / material / matériau / materiale / material:

1.4571	1.4539	PPH	PVDF
---------------	---------------	------------	-------------